

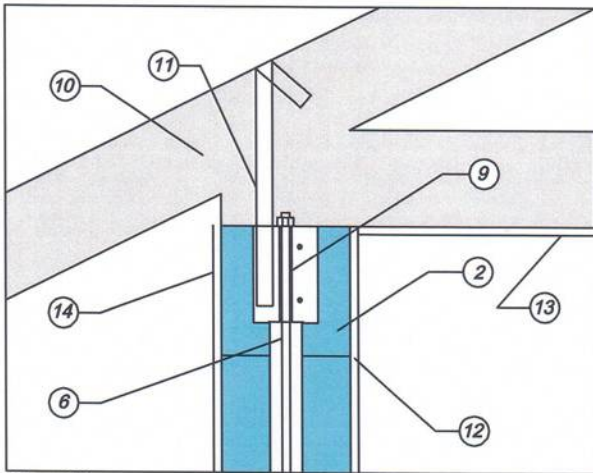
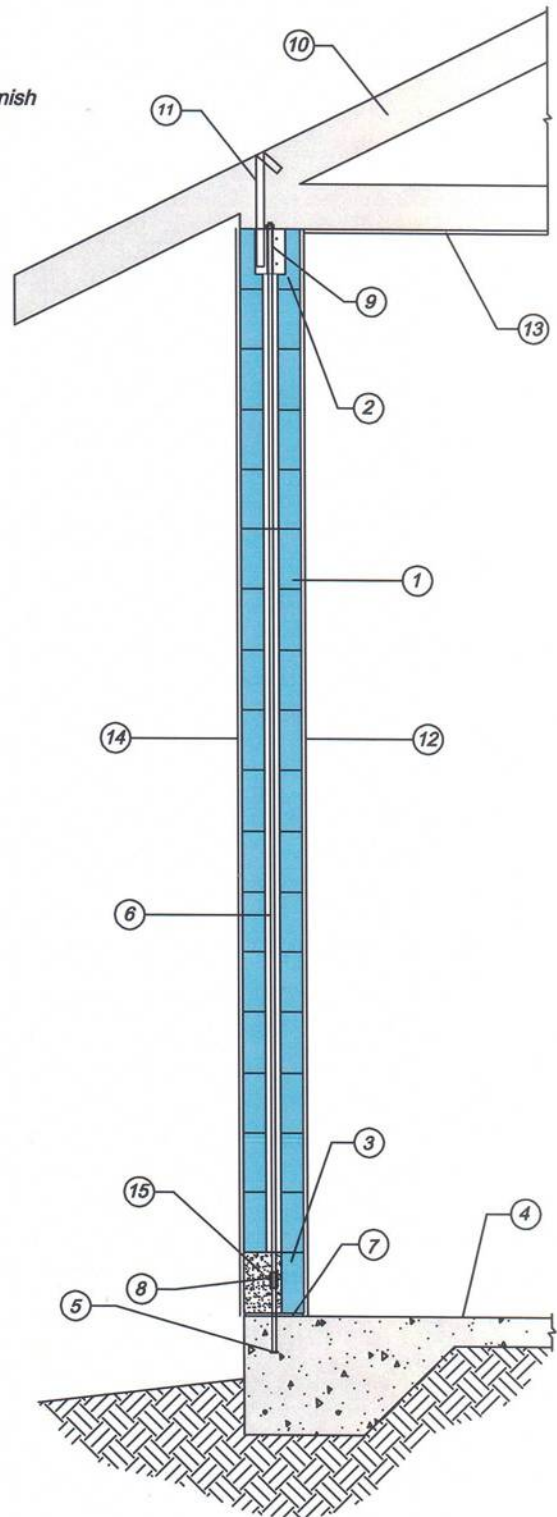


**PRECISION BLOCK PRODUCTS**

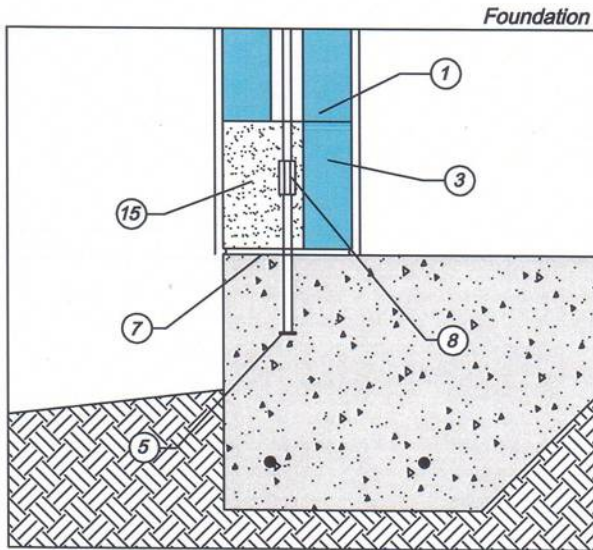
**Typical Construction Details**

- ① Flexcrete KW Block
- ② Concrete Filled Flexcrete U-Block W/ Reinforcing
- ③ Flexcrete Clean-Out Block
- ④ Reinforced Concrete Slab
- ⑤ Foundation Anchor
- ⑥ Threaded Tie-Down Rod
- ⑦ 3/8" +/- Mortar Bed
- ⑧ Threaded Coupler
- ⑨ Sleeve W/ Cover Plate Top & Bottom and 1 Nut
- ⑩ Roof Truss
- ⑪ Truss Anchor
- ⑫ Flexcrete Interior Wall Plaster or Gypsum Board
- ⑬ Gypsum Board
- ⑭ FlexCrete Approved Exterior Finish
- ⑮ Fill Clean-Out Block Opening With Flexcrete Repair Mortar

Note: Reinforcing Bar Can Be Used Instead Of Threaded Rod. Core Must Then Be Grouted



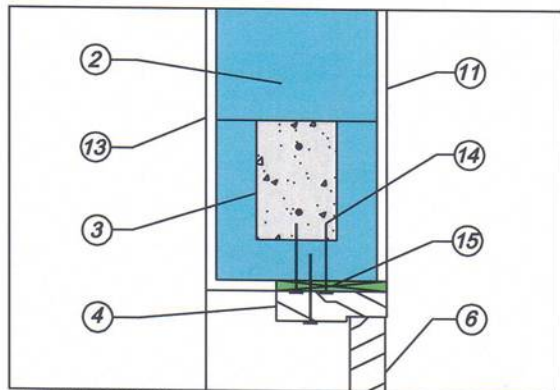
Bond Beam



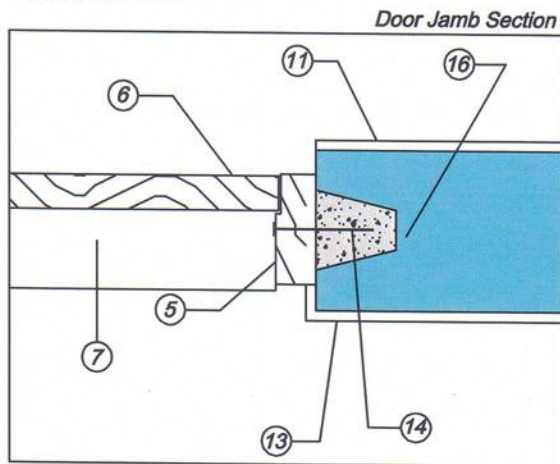
Foundation

Revision	Issue Date

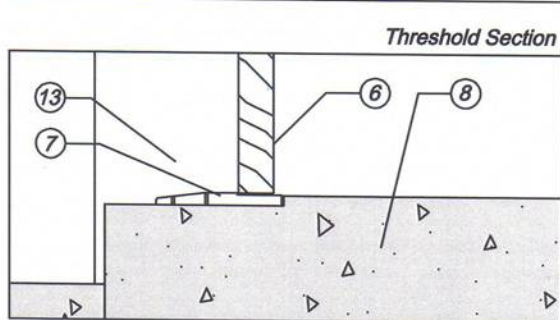
- ① Concrete Filled Flexcrete U-Block W/ Reinforcing
- ② Flexcrete Block
- ③ Concrete Filled Flexcrete U-Block W/ Reinforcing or Flexcrete Reinf. Solid Lintel
- ④ Door Head
- ⑤ Door Jamb
- ⑥ Exterior Door
- ⑦ Threshold
- ⑧ Reinforced Concrete Slab
- ⑨ Roof Truss
- ⑩ Truss Anchor
- ⑪ Flexcrete Interior Wall Plaster or Gypsum Board
- ⑫ Gypsum Board
- ⑬ Flexcrete Compatible Coating
- ⑭ Flexcrete Approved Fasteners
- ⑮ Pressure Treated Buck Strip
- ⑯ FlexCrete KW Block



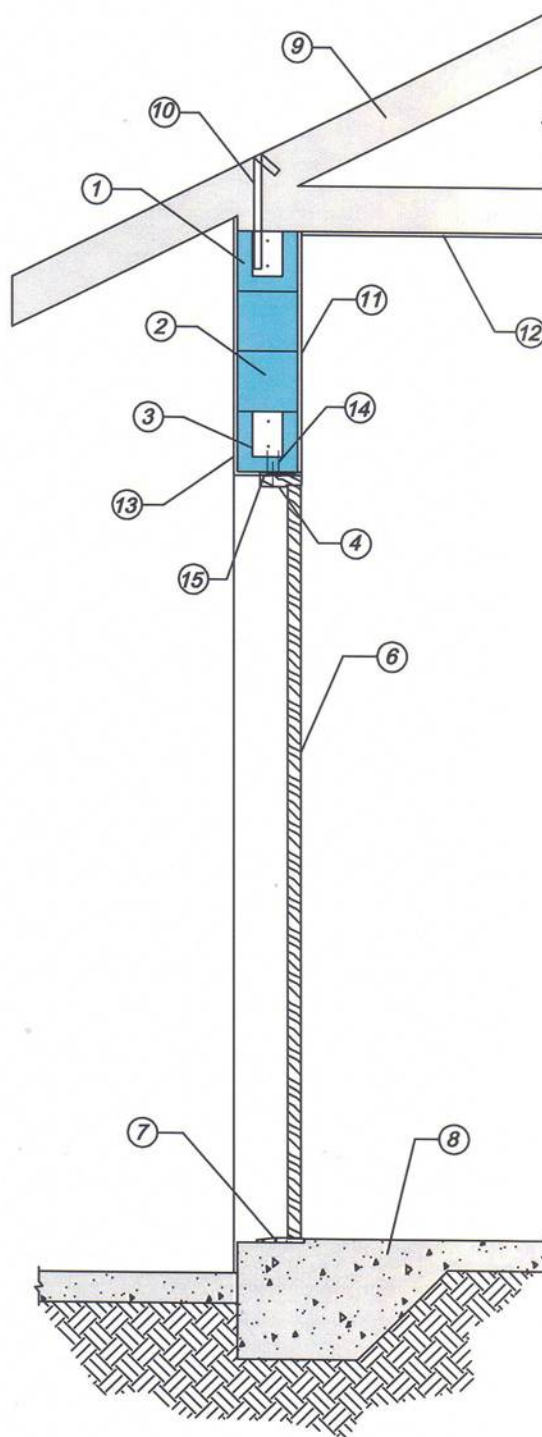
Door Head Section



Door Jamb Section

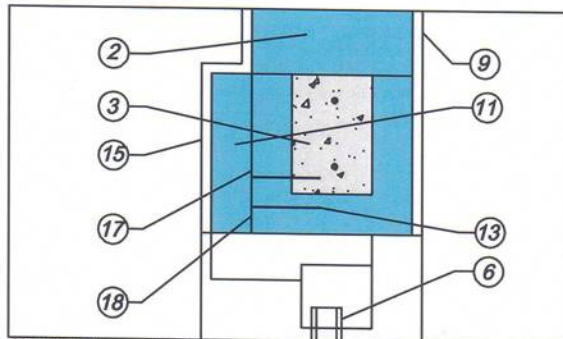


Threshold Section



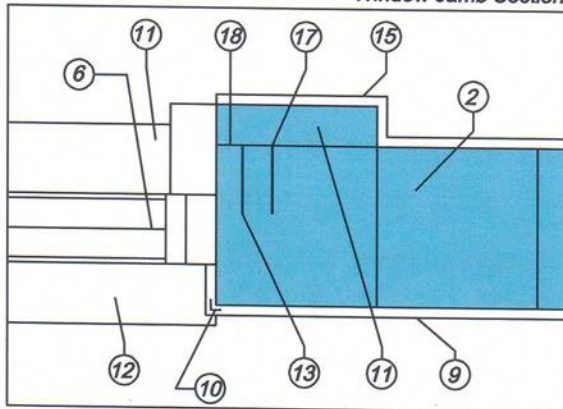
Revision	Issue Date

- ① Concrete Filled Flexcrete U-Block W/ Reinforcing
- ② Flexcrete Block
- ③ Concrete Filled Flexcrete U-Block W/ Reinforcing or Flexcrete Reinf. Solid Lintel
- ④ Reinforced Concrete Slab
- ⑤ 3/8" +/- Mortar Bed
- ⑥ Window
- ⑦ Roof Truss
- ⑧ Truss Anchor
- ⑨ Flexcrete Interior Wall Plaster or Gypsum Board
- ⑩ Corner Bead
- ⑪ FlexCrete Molding
- ⑫ Interior Window Sill
- ⑬ FlexCrete Approved Fastener
- ⑭ Gypsum Board
- ⑮ Flexcrete Compatible Coating
- ⑯ Flexcrete Or Styrofoam Insulation
- ⑰ Flexible Flashing
- ⑱ Vinyl Window Nailing Fin

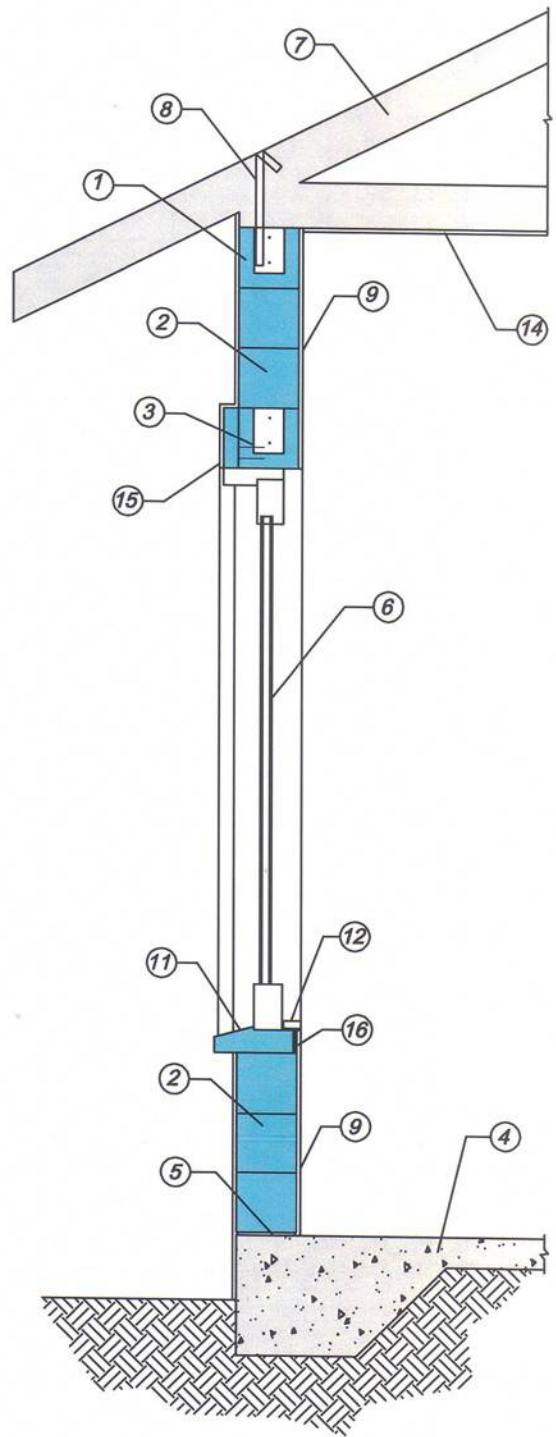
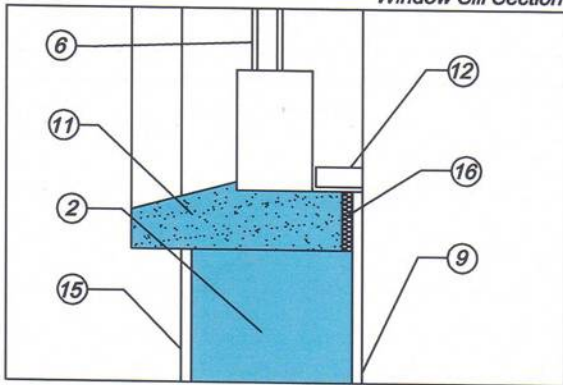


Window Head Section

Window Jamb Section

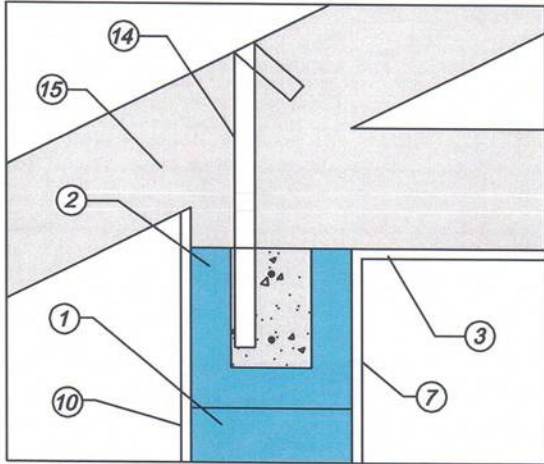


Window Sill Section



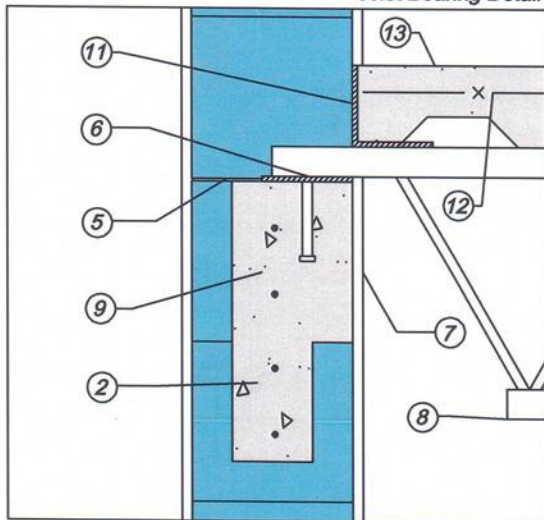
Revision	Issue Date

- ① Flexcrete Block
- ② Concrete Filled Flexcrete U-Block W/ Reinforcing
- ③ Gypsum Board
- ④ Reinforced Concrete Slab
- ⑤ 3/8" +/- Mortar Bed
- ⑥ Bearing Plate W/ Shear Studs
- ⑦ Flexcrete Interior Wall Plaster or Gypsum Board
- ⑧ Steel Bar Joist
- ⑨ Bond Beam W/ Reinforcing Bars
- ⑩ Flexcrete Compatible Coating W/ Mesh As Required
- ⑪ Steel Angle
- ⑫ Welded Wire Fabric
- ⑬ Concrete On Metal Deck
- ⑭ Truss Anchor
- ⑮ Roof Truss

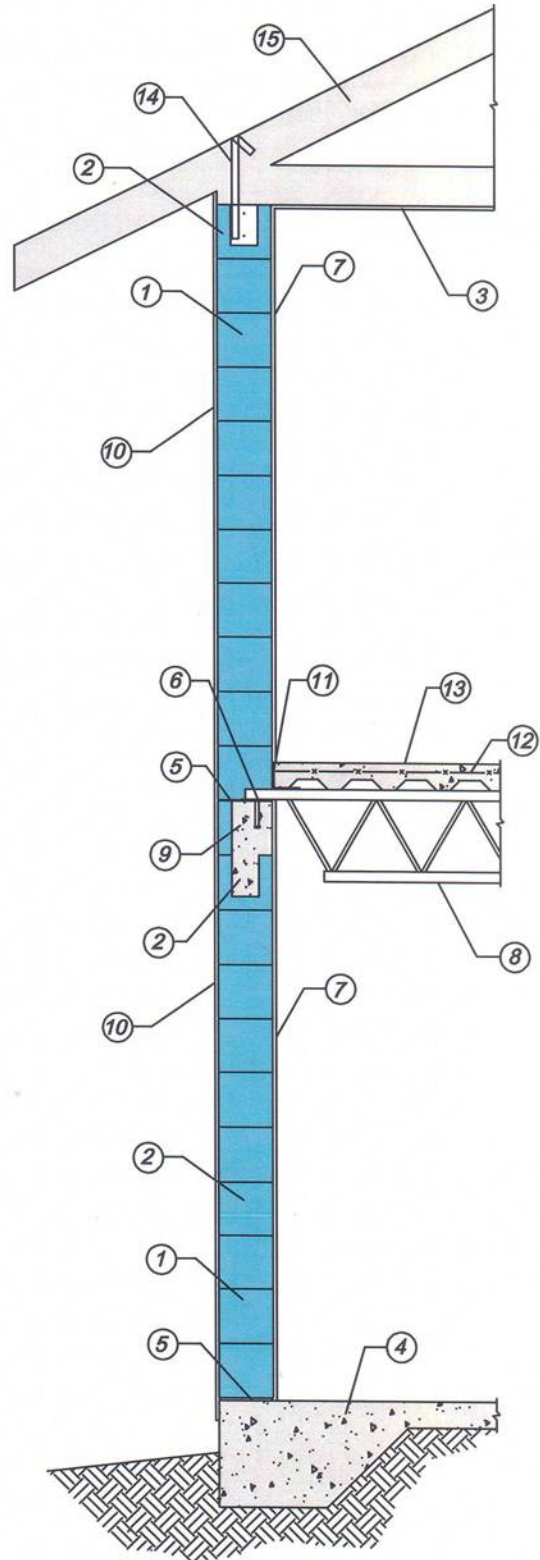
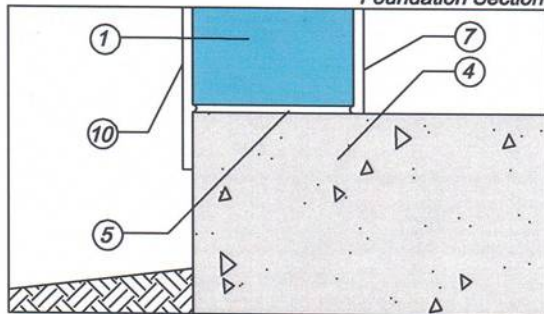


Bond Beam

Joist Bearing Detail

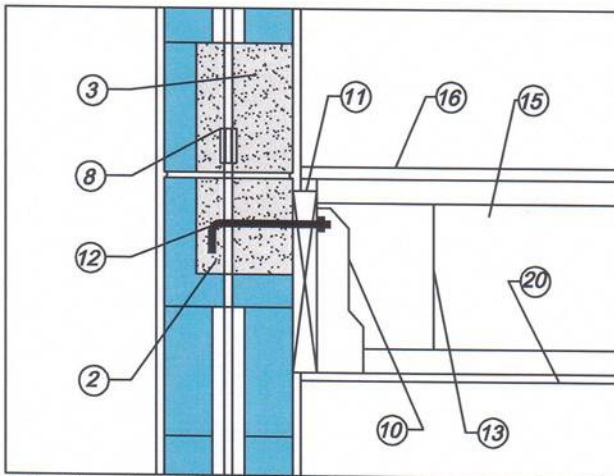
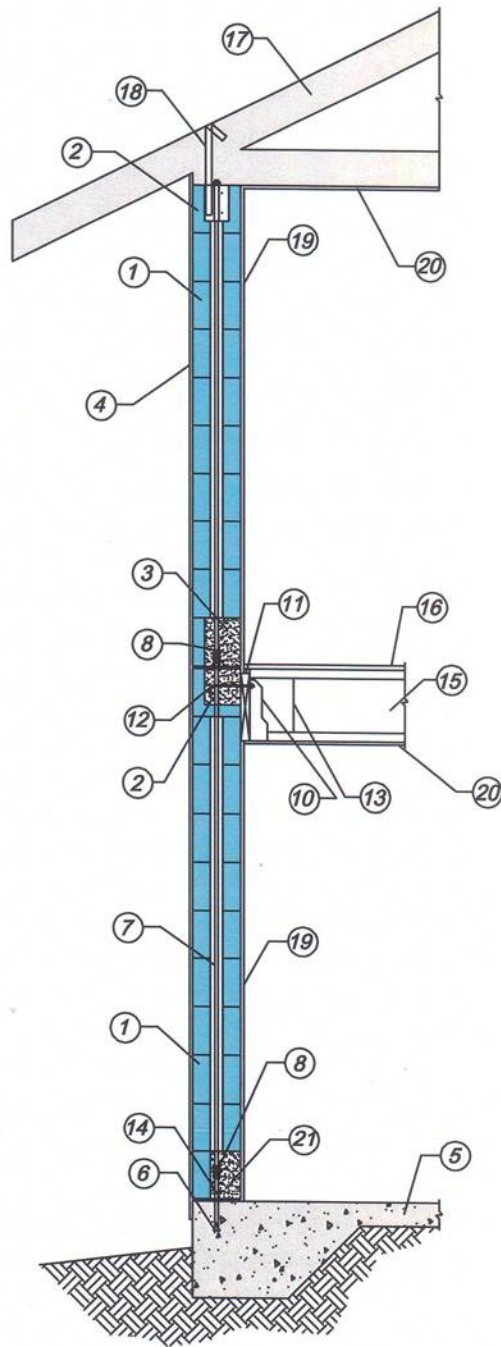


Foundation Section



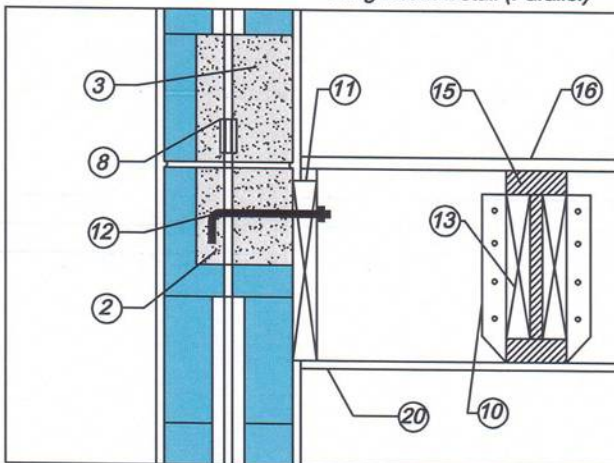
Revision	Issue Date

- ① Flexcrete KW Block
- ② Concrete Filled Flexcrete U-Block W/ Reinforcing
- ③ Flexcrete Clean-Out Block
- ④ Flexcrete Compatible Coating W/ Mesh As Required
- ⑤ Reinforced Concrete Slab
- ⑥ Foundation Anchor
- ⑦ Threaded Tie-Down Rod
- ⑧ Threaded Coupler
- ⑨ Sleeve W/ Cover Plate Top & Bottom
- ⑩ Joist Hanger
- ⑪ 2x Pressure Treated Ledger
- ⑫ Anchor Bolt
- ⑬ Wood Blocking
- ⑭ 3/8"± Mortar Bed
- ⑮ Wood "I" Joist
- ⑯ Floor Decking
- ⑰ Roof Truss
- ⑱ Truss Anchor
- ⑲ Flexcrete Interior Wall Plaster Or Gypsum Board
- ⑳ Flexcrete Interior Wall Plaster
- ㉑ Fill Clean-Out Block Opening With Flexcrete Repair Mortar



Ring Beam Detail (Perpendicular)

Ring Beam Detail (Parallel)

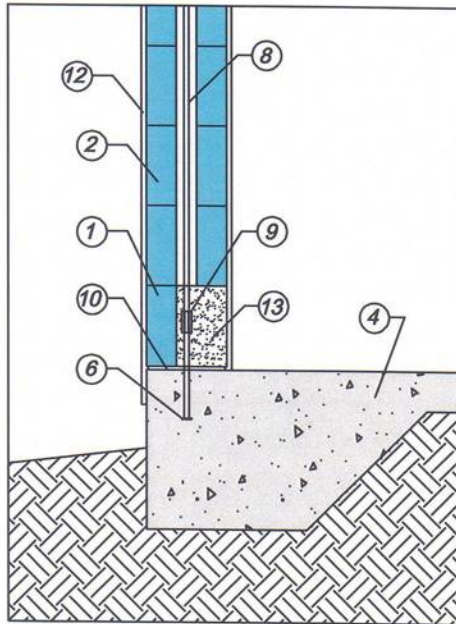


Note: Reinforcing Bar Can Be Used Instead Of Threaded Rod. Core Must Then Be Grouted

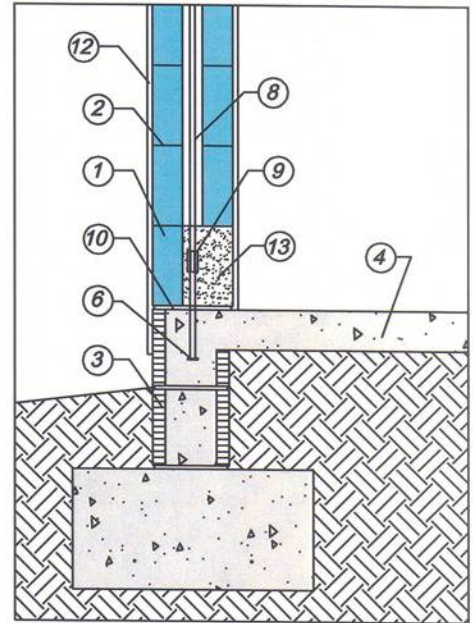
Revision	Issue Date

- ① Flexcrete Clean-Out Block
- ② Flexcrete KW Block
- ③ CMU Stemwall
- ④ Reinforced Concrete Slab
- ⑤ J-Bolt Cast In Place
- ⑥ Foundation Anchor
- ⑦ Threaded Tie-Down Rod Epoxied Into Existing Conc. Slab (6" Min.)
- ⑧ Threaded Tie-Down Rod
- ⑨ Threaded Coupler
- ⑩ 3/8" +/- Mortar Bed
- ⑪ Flexcrete Interior Wall Plaster Or Gypsum Sheathing
- ⑫ Flexcrete Compatible Coating
- ⑬ Fill Clean-Out Block Opening W/ Flexcrete Repair Mortar

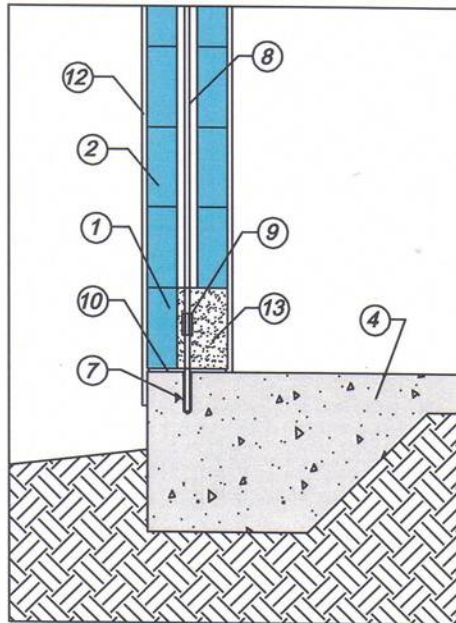
Note: Reinforcing Bar Can Be Used Instead Of Threaded Rod. Core Must Then Be Grouted



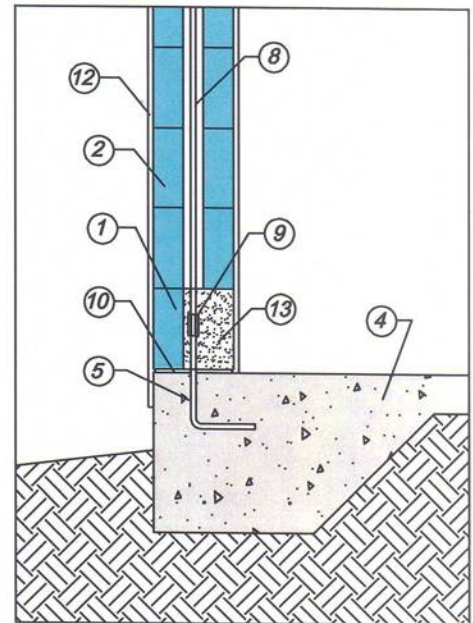
Monolithic Slab



Stemwall



Epoxied Anchor



J-Bolt